

ACCESSORIES

NOZZLE KIT

2NK-1	(2 X 4-INCH NOZZLES)	MODELS
2NK-2	(2 X 6-INCH NOZZLES)	PAC12
2NK-3	(2 X 8-INCH NOZZLES)	PAC18, 24
		PAC36, 60

EVAPORATOR RETURN AIR PLENUM KIT

DEP-10	(10-INCH)	PAC12
2DEP-12	(12-INCH)	PAC18, 24
DEP-16	(16-INCH)	PAC36, 60

DISCHARGE DUCT ADAPTER

2DDA-6	(6-INCH)	PAC12
2DDA-10	(10-INCH)	PAC18, 24
2DDA-16	(16-INCH)	PAC36, 60

CONDENSER RETURN AIR PLENUM

2DCP-1	(12-INCH)	PAC12
2DCP-2	(12-INCH)	PAC18, 24
DCP-5	(16-INCH)	PAC36, 60

CEILING PANEL KIT

CK-12	(12-INCH)	PAC12, 28, 24
CK-16	(16-INCH)	PAC36, 60

CK-12PL CK-12 WITHOUT DUCT FLANGE

CKP-12	2 X 2 CEILING PANEL, WITH 12-INCH FLANGE
CKP-16	2 X 2 CEILING PANEL, WITH 16-INCH FLANGE

DUCT FLANGE

DF-12	12-INCH DUCT FLANGE
DF-16	16-INCH DUCT FLANGE

CONDENSATE PUMP KIT

(NOT FOR USE ON PAC60 MODELS)

PC-1P	115V PUMP KIT, DELUXE	PAC12, 18
PC-2P	230V PUMP KIT, DELUXE	PAC24, 36

OCEANAIRE

Air-Cooled Portable Spot Coolers



OAH-PAC-082013

PAC Series

OCEANAIRE, Inc. 6228 Oakton Street Morton Grove, IL 60053

P 847.583.0311 F 847.583.0312 E sales@oceanaire-inc.com W www.oceanaire-inc.com

OCEANAIRE

Air-Cooled Portable Spot Coolers

SPECIFICATIONS

MODEL: PAC	1211	1811	2412	3612	3632	3634	6012	6032	6034
Cooling Capacity ¹	11,800	16,800	24,020	36,050	36,050	36,050	60,050	60,050	60,050
Voltage (V/Phase) at 60Hz	115/1		208-230/1	208-230/1	208-230/3	460/3	208-230/1	208-230/3	460/3
Amps ⁶	10.4	14.1	14.9	18.1	17.2	8.7	32.0	20.4	14.8
Watts ⁶	1180	1670	2700	3620	3620	3620	6000	6000	6000
In Rush Current (Amps)	77.5	100.5	90	140	122	122	169	140	140
Plug Type	5-15P	5-20P	6-20P	6-30P	L15-30P	L16-20P	6-50P	L15-30P	L16-20P
EER ³	10.0	10.0	8.9	10.0	10.0	10.0	10.0	10.0	10.0
Compressor HP	1	1 1/2	2	3	3	3	5	5	5
Compressor RLA	9.5	12.3	10.5	13.6	8.8	5.0	27.6	18.1	9.0
Compressor LRA	50	63	48	83	77	35	158	137	62
Evap CFM ⁴	400	600	810	1200	1200	1200	1950	1950	1950
Evap Motor HP	1/8	1/8	1/3	1/3	1/3	1/3	1	1	1
Evap Motor Watts	180	210	330	375	375	375	550	550	550
Condenser CFM	580	930	1010	1390	1390	1390	2200	2200	2200
Condenser Motor HP	1/8	1/8	1/3	1	1	1	1	1	1
Condenser Motor Watts	200	280	350	460	460	460	750	750	750
Condensate	5 Gallon Condensate Tank - STANDARD (Pump Optional)					Pump -STANDARD (20 ft. Lift)			
Sound Level ⁵	54	60	65	69		78			
R-410A Charge Oz.	18	40	37	66		80			
(A) Height with Casters (in.)	36 1/2	45 1/2		50-1/4			52 1/4		
(B) Width (in.)	20	24	28						
(C) Depth (in.)	25	30	35			39			
(D) Height w/o Casters (in.)	32 1/2	40 1/2		45			46		
Net Weight (lb.)	180	260	260	365	380	485	485	515	
Shipping Weight (lb.)	200	285	285	405	420	525	525	555	
Shipping Volume (cu. ft.)	19	28		40			48		

SPECIFICATIONS SUBJECT TO CHANGE WITHOUT NOTICE

NOTES

- Cooling Capacity is total BTUH at 80°DB/67° WB return air, 95° DB Condenser Air
- Dedicated Circuit and Time Delay fuse or circuit breaker are recommended
- Cooling EER is determined with condenser discharge air ducted into another area
- CFM with free discharge
- Sound Pressure, dB at 5 feet, commercial operation
- Amps & Watts at 208 Volts (208-230 V Models)



* CONDENSER RETURN AIR PLENUM

For Size 12, 18 and 24 Models, add 13 inches to Dim C
For Size 36 and 60 Models, add 17 inches to Dim C

COOLING AMBIENT* OPERATING RANGE 65° TO 105°

* May COOL down to 55° if equipped with hot gas bypass valve (factory installed option)

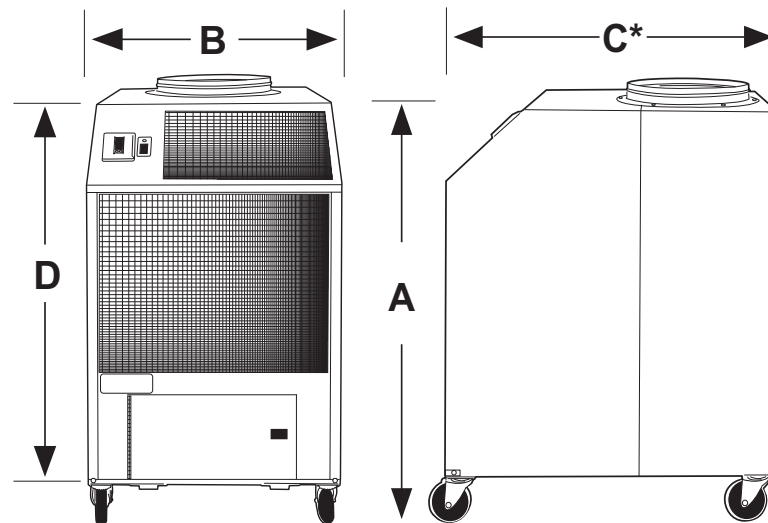
AVAILABLE OPTIONS - SPECIAL ORDER ONLY - CONSULT FACTORY**

Hot Gas Bypass
High Performance Blowers
50 Hz Models

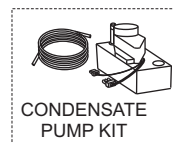
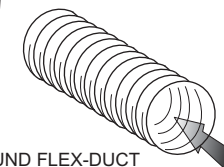
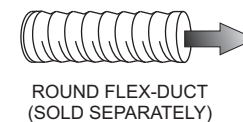
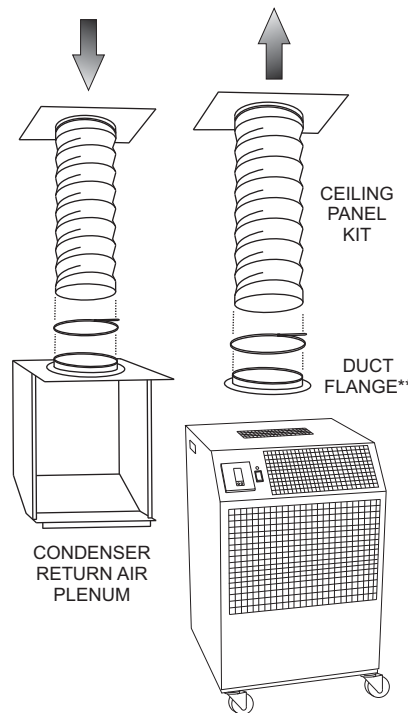
Coated Coils
Special Filters
Special Voltages

** some options are available as Non-UL Listed Product, Only

NOT APPROVED FOR OUTDOOR USE



ACCESSORIES



**NOTE - PAC36 AND PAC60 MODELS COME WITH 16-INCH DUCT FLANGE INSTALLED