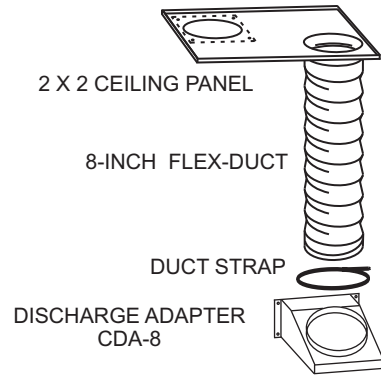
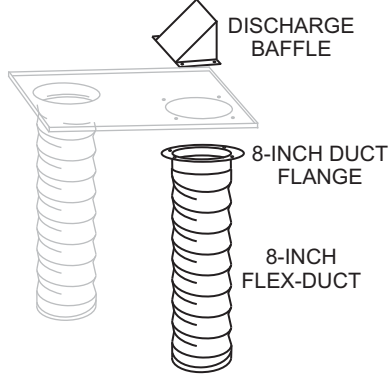


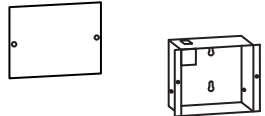
**INSTALLATION KITS**



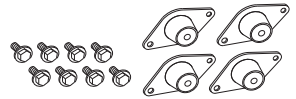
**CEILING PANEL DISCHARGE KIT  
CK-8**



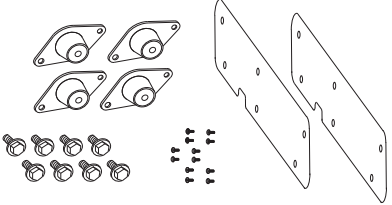
**CEILING PANEL CONVERSION KIT  
CVK-8**



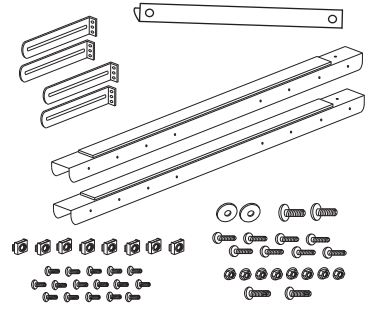
**REMOTE THERMOSTAT KIT  
RTK-1**



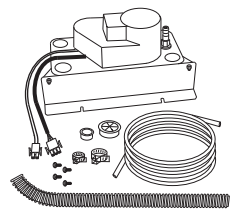
**FEET KIT  
CFK-1**



**STACKING KIT  
SK-1**



**RACK INSTALLATION KIT  
RCK-1**



**CONDENSATE PUMP KIT  
CPC-1**

# OCEANAIRE



**12,000 BTU PORTABLE SPOT COOLER**



OAH-20AC-012012



**CAC1211**

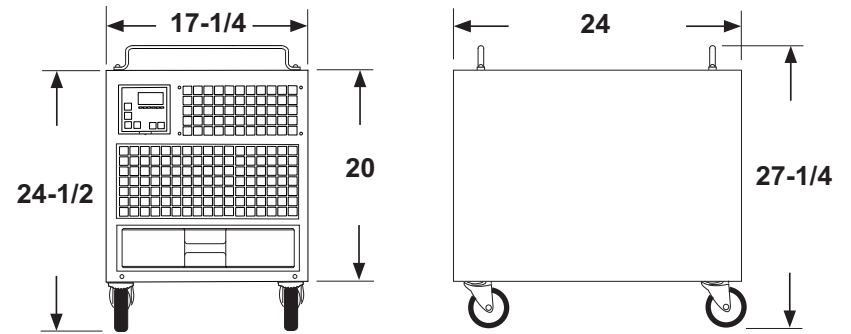
# OCEANAIRE

## FEATURES

- 12,000 BTUH OF PORTABLE COOLING - HANDLES AND CASTERS ARE STANDARD
- ACCESSORIES FOR APPLICATIONS  
A FULL COMPLIMENT OF ACCESSORIES FOR JUST ABOUT ANY APPLICATION
- INSTALLATION KITS FOR  
HANGING - INSTALL ABOVE A DROP CEILING, OR HANG ABOVE A ROOM  
RACK INSTALLATION (19-INCH) - OCCUPIES 12U OF A VARIABLE RACK SPACE  
STACKABLE CONFIGURATIONS - UP TO 3 UNITS  
PERMANENT INSTALLATIONS - REMOTE THERMOSTAT

# CAC1211

## DIMENSIONS



## SPECIFICATIONS

COOLING CAPACITY	12,000 BTUH
VOLTAGE	115 V
COOLING AMPS	12.0 A
COOLING WATTS	1180 W
IN RUSH AMPS	63 A
EER	10.0
COMPRESSOR TYPE	ROTARY, 1 HP
COMPRESSOR RLA / LRA	9.5 A / 50 A
EVAPORATOR BLOWER	CENTRIFUGAL
EVAP CFM HIGH/LOW	400/320 CFM
EVAP MOTOR HP / AMPS	1/8 HP / 1.7 A
EVAP MOTOR WATTS	130 W
CONDENSER BLOWER	CENTRIFUGAL
COND CFM	490 CFM
COND MOTOR HP / AMPS	1/8 HP / 1.4 A
COND MOTOR WATTS	150 W
POWER CORD, 10 FT	14/3 (WITH LCDI)
PLUG TYPE	5-15P
CONDENSATE TANK CAPACITY	2 GALLON
REFRIGERANT CHARGE	R-410A 18 OZ.
NET WEIGHT	135 lb
SHIPPING WEIGHT	160 lb
SHIPPING VOLUME	14 cu. Ft

### SPECIFICATIONS SUBJECT TO CHANGE WITHOUT NOTICE

#### NOTES

1. Cooling Capacity is total BTUH at 80°DB/67° WB return air, 95° DB Condenser Air
2. Dedicated Circuit and Time Delay fuse or circuit breaker are recommended
3. Cooling EER is determined with condenser discharge air ducted into another area
4. CFM with free discharge
5. Amps & Watts at 115 Volts

#### COOLING AMBIENT\*

\* May COOL down to 55° if equipped with hot gas bypass valve (factory installed option)

#### OPERATING RANGE 65° TO 105°

**NOT APPROVED FOR OUTDOOR USE**

## ACCESSORIES

