

ACCESSORIES

NOZZLE KIT		MODELS
NK-1	(2 X 4-INCH)	OWC12
NK-2	(2 X 6-INCH)	OWC18, 24
2NK-3	(2 X 8-INCH)	OWC36
NK-3	(2 X 8-INCH)	OWC60

EVAPORATOR RETURN AIR PLENUM	
DEP-10	(10-INCH) OWC12
2DEP-12	(12-INCH) OWC18, 24
DEP-16	(16-INCH) OWC36, 60

DISCHARGE DUCT ADAPTER	
DDA-6	(6-INCH) OWC12
DDA-10	(10-INCH) OWC18, 24
2DDA-16	(16-INCH) OWC36
DDA-16	(16-INCH) OWC60

HOSE KIT	
HK-1	(10 FT) OWC12, 18, 24
HK-2	(25 FT) OWC12, 18, 24
HK-5	(40 FT) OWC12, 18, 24

HK-3	(10 FT) OWC36, 60
HK-4	(25 FT) OWC36, 60
HK-6	(40 FT) OWC36, 60

OCEANAIRE

Deluxe Portable Air Conditioners



Made in the USA

OAH-OWC-012012

Water-Cooled

OWC Series

OCEANAIRE, Inc. 6228 Oakton Street Morton Grove, IL 60053

P 847.583.0311 F 847.583.0312 E sales@oceanaire-inc.com W www.oceanaire-inc.com

OCEANAIRE

Deluxe Water-Cooled Portable Spot Coolers

SPECIFICATIONS

MODEL: OWC	1211	1811	2412	3612	3632	3634	6012	6032	6034
Nominal Cooling Capacity ¹	12,000	18,000	23,950	36,100	36,100	36,100	60,100	60,100	60,100
Voltage (Volts/Phase) at 60Hz	115/1		208-230/1		208-230/3		460/3	208-230/1	
Unit Amps ⁵	8.1	11.3	9.9	12.0	9.3	4.7	23.7	16.5	6.3
Unit Watts ⁵	930	1300	2100	2700	2700	2700	5000	5000	5000
In Rush Current (Amps) ⁶	70	90	86.5	99.5	88	88	160	140	140
Plug Type	5-15P	5-15P	6-20P	6-20P	L15-20P	L16-20P	6-30P	L15-30P	L16-20P
EER	12.9	13.8	11.4	13.4	13.4	13.4	12.0	12.0	12.0
Compressor HP	1	1 1/2	2	3	3	3	5	5	5
Compressor RLA	9.5	12.3	10.5	13.6	8.8	5.0	27.6	181	9.0
Compressor LRA	50	63	48	83	77	35	158	137	62
Evap CFM ²	400	600	810	1200	1200	1200	1950	1950	1950
Evap Motor HP	1/8	1/8	1/3	1/3	1/3	1/3	1	1	1
Evap Motor Watts	180	210	350	375	375	375	550	550	550
Dimension E (in.)	18	21 1/2		29 1/2			32 3/4		
Dimension F (in.)	5 1/2	6		6			6		
Dimension G (in.)	3 1/2	4 1/2		4 1/2			4 1/2		
Cond Water Flow (GPM) at 60°F inlet	0.75	1.1	1.55	2.2	2.2	2.2	5.5	5.5	5.5
at 85°F inlet	3	4.5	6	9	9	9	15	15	15
Cond Coil Pressure Drop-PSI	0.4	0.4	0.2	0.4	0.4	0.4	0.4	0.4	0.4
Water Valve Pressure Drop PSI	2.0								
Water Valve Connection ⁴	3/8 MF			5/8 MF					
Drain (Return) Connection	3/8 MF			5/8 MF					
Condensate Pump (ALL UNITS)	20 Ft Lift - 3/8 MF Connection On Unit - DRAIN								
Sound Level ³	52	57	60	62	62	62	69	69	69
R-410A Charge Oz.	14	18	16	24	24	24	52	52	52
(A) Height with Casters (in.)	31 1/2	37 1/2		50-1/4			52-1/2		
(D) Height Without Casters (in.)	28 1/2	34 1/2		45			46-1/2		
(B) Width (in.)	20 1/8	24 1/4		28 1/4			39		
(C) Depth (in.)	13 1/8	13		18			39		
Net Weight (lb.)	125	155	170	275		305	470		500
Shipping Weight (lb.)	145	175	190	305		335	510		540
Shipping Volume (cu.ft.)	9	12		23			46		

SPECIFICATIONS SUBJECT TO CHANGE WITHOUT NOTICE

NOTES

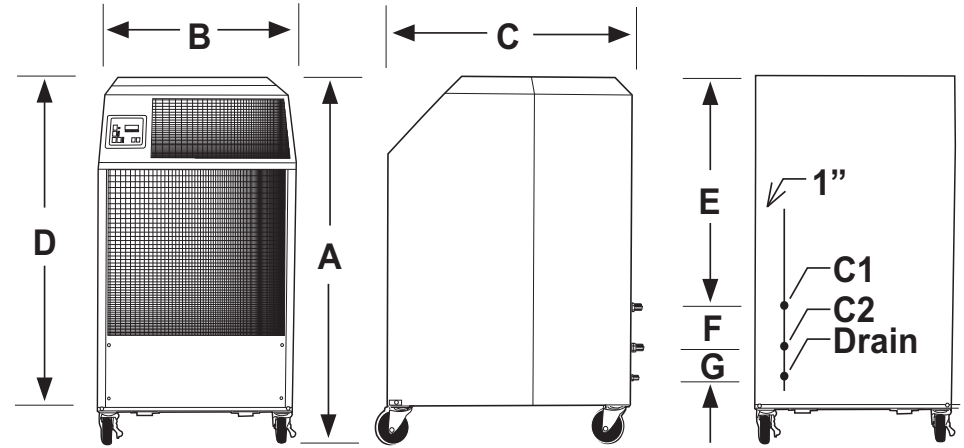
1. Cooling Capacity is total BTUH at 80°DB/67°WB return air, with 85°EWT to 105°LWT
2. Dedicated Circuit and Time Delay fuse or circuit breaker are recommended
3. CFM with free discharge
4. Amps and Watts at 208 Volts (208-230V Models)

COOLING AMBIENT*

* May COOL down to 55° if equipped with factory installed options.

OPERATING RANGE 65° TO 105°

NOT APPROVED FOR OUTDOOR USE



ACCESSORIES

